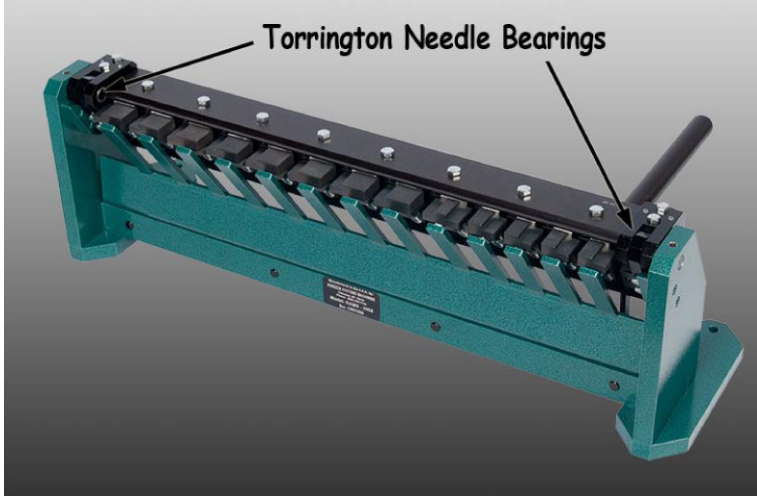


## RAMS-2004 CLEAT BENDER



Dealer:  
Address:  
City:  
State/Zip:  
Phone:

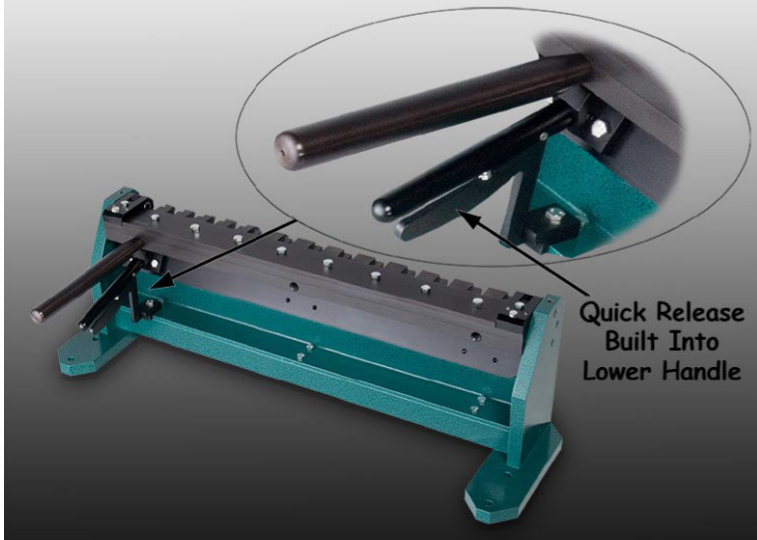


### Specifications

**CAPACITY:** 20 GA. MILD STEEL

**DIMENSIONS:**  
31"L x 9"H x 9"W

**APPROXIMATE WEIGHT:** 70 LBS.



A manually operated tool that forms uniform drive cleat edges on rectangular ductwork in seconds without set-up or adjustment. The upper handle forms the cleat and the lower handle opens the tool for easy removal of the material. Torrington needle bearings are used. A quick-release is built into the lower handle, which has 3-positions available.

